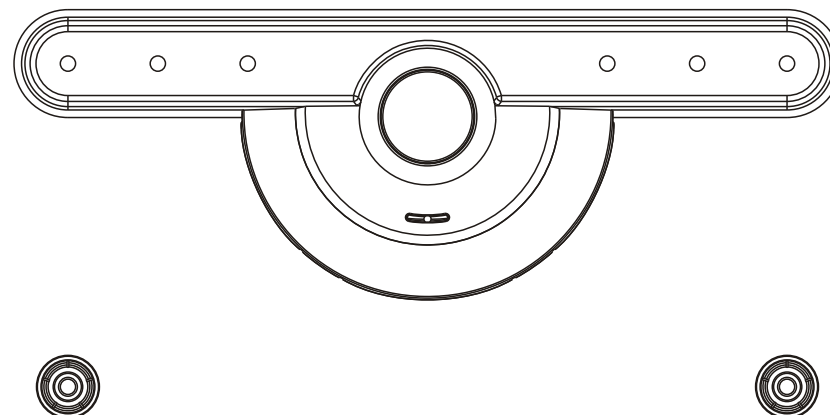


INSTALLATION MANUAL

LED Wall Mount






419 E 4th Street,
Royal Oak, MI48067
Tel: 1 888-205-8290

info@turbo-teck.com
techsupport@turbo-teck.com
www.turbo-teck.com



**CAUTION: DO NOT EXCEED
RATED LISTED WEIGHT. SERIOUS
INJURY OR PROPERTY DAMAGE
MAY OCCUR!**

TTF01	 200x200/300x300 400x200/400x400 600x400/600x600	 70" MAX	 40kg (88lbs) RATED
--------------	---	---	---

ISSUED: May. 2013

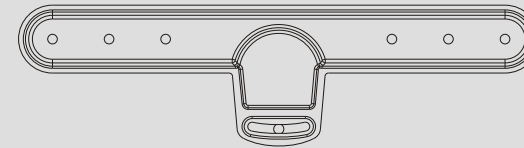
NOTE: Read the entire instruction manual before you start installation and assembly.

WARNING

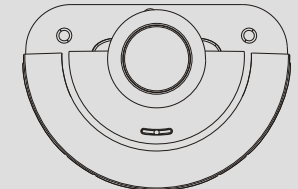
- Do not begin the installation until you have read and understood all the instructions and warnings contained in this installation sheet. If you have any questions regarding any of the instructions or warnings, please contact your local distributor.
- This mounting bracket was designed to be installed and utilised **ONLY** as specified in this manual. Improper installation of this product may cause damage or serious injury.
- This product should only be installed by someone with good mechanical ability who has basic building experience and fully understands this manual.
- Make sure that the supporting surface will safely support the combined weight of the equipment and all attached hardware and components.
- If mounting to wood wall studs, make sure that mounting screws are anchored into the center of the studs. The use of a stud finder is highly recommended.
- Always use an assistant or mechanical lifting equipment to safely lift and position the equipment.
- Tighten screws firmly, but do not over tighten. Over tightening can cause damage to the items, This greatly reduces their holding power.
- This product is intended for indoor use only. Using this product outdoors could lead to product failure and personal injury.

Component Checklist

IMPORTANT: Ensure that you have received all parts according to the component checklist prior to installation. If any parts are missing or faulty, telephone your local distributor for a replacement.



adaptor bracket (x1)
A



wall plate (x1)
B

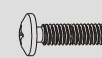


small supporting spacer (x2)
C

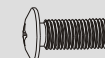


big supporting spacer (x2)
D

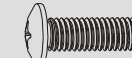
Package M



M5x14 (x4)
M-A



M6x14 (x4)
M-B



M8x20 (x4)
M-C



M6x30 (x4)
M-D



M8x30 (x4)
M-E



D5 washer (x4)
M-F



D8 washer (x4)
M-G

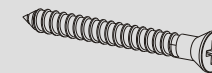


small spacer (x8)
M-H

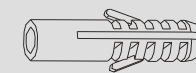


big spacer (x4)
M-I

Package W

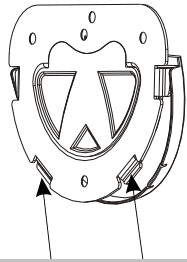


ST6.3x55 (x3)
W-A

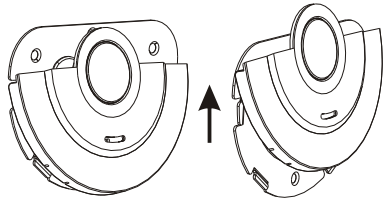


concrete anchor (x3)
W-B

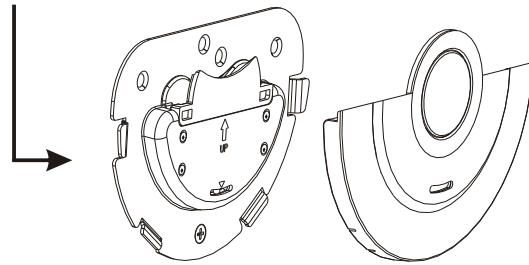
1. Removing the Decorative Cover



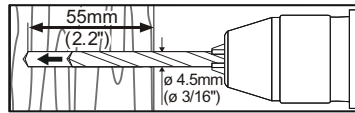
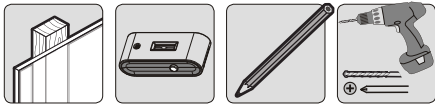
Remove the plastic cover by releasing these two clasps.



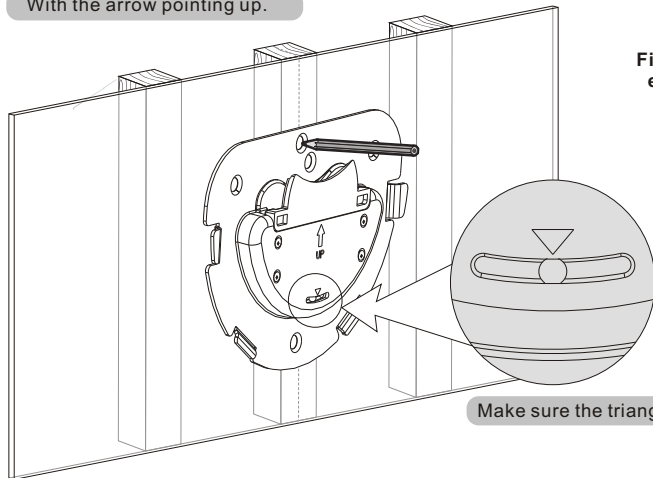
Separate the decorative cover from the wall plate by pulling the decorative cover upward.



2a. For Wood Stud Wall Mounting

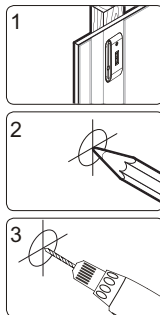


With the arrow pointing up.

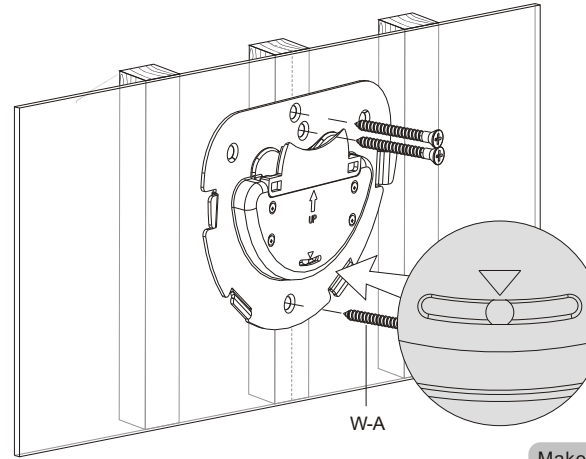


Make sure the triangle is pointing to the steel ball.

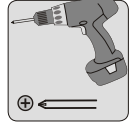
Find and mark the exact location of mounting holes



Drill pilot holes



Make sure the triangle is pointing to the steel ball.

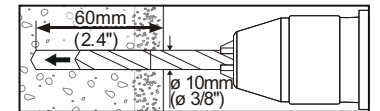
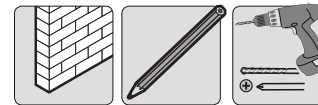


Screw the wall plate onto the wall

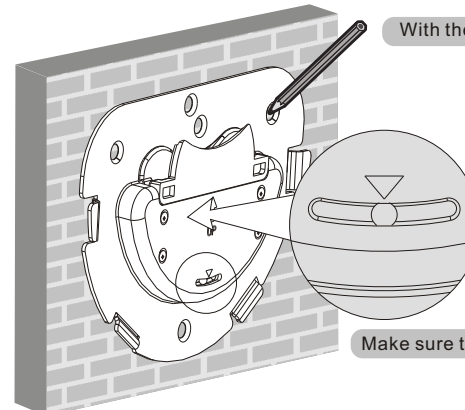
! WARNING

- Make sure that mounting screws are anchored into the center of the studs. The use of a stud finder is highly recommended.
- Installers are responsible to provide hardware for other types of mounting situations.
- Installers must verify that the supporting surface will safely support the combined weight of the equipment and all attached hardware and components.

2b. For Solid Brick and Concrete Mounting

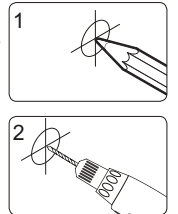


With the arrow pointing up.



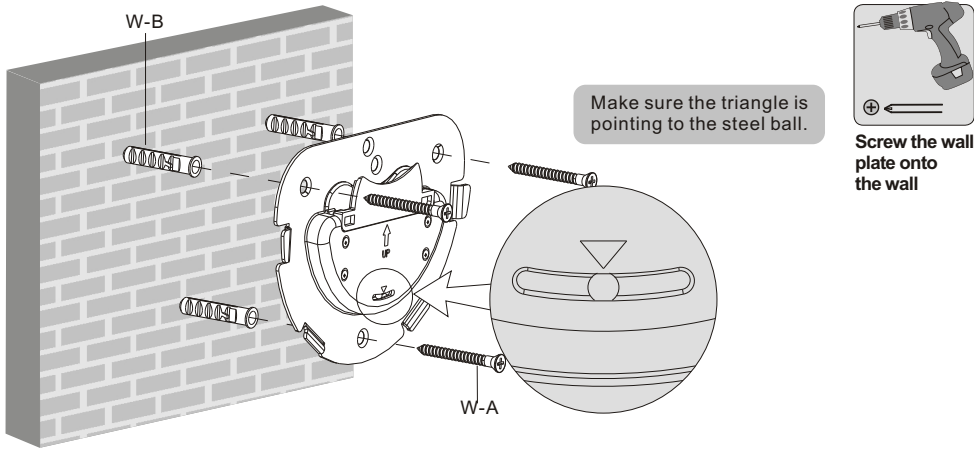
Make sure the triangle is pointing to the steel ball.

Mark the exact location of mounting holes



Drill pilot holes

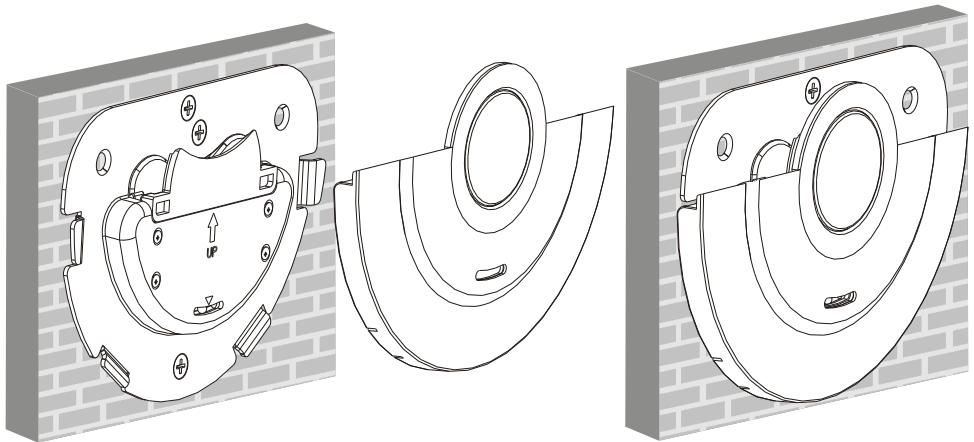
3. Installing the Decorative Cover



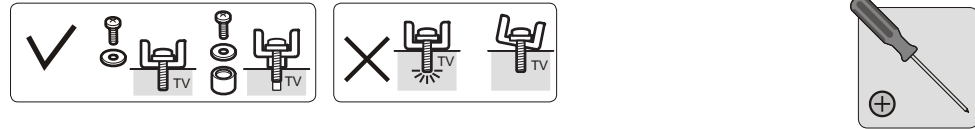
WARNING

Installers must verify that the supporting surface will safely support the combined weight of the equipment and all attached hardware and components.

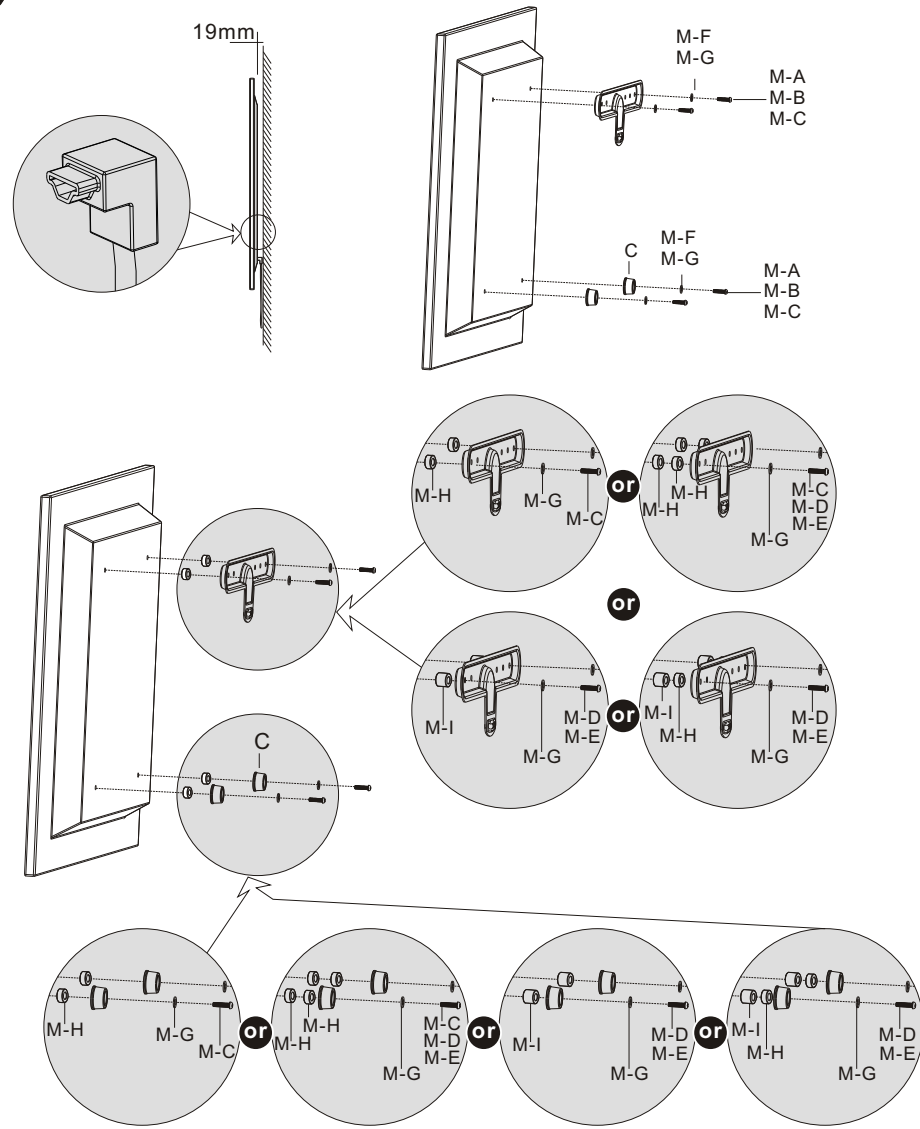
3. Installing the Decorative Cover



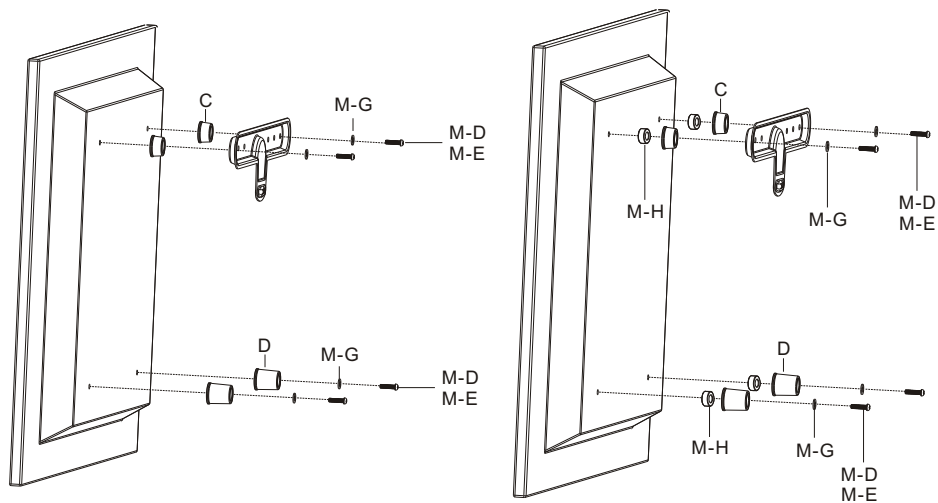
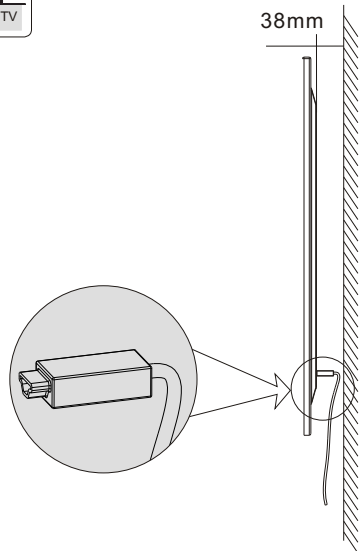
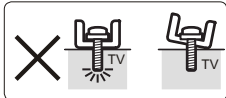
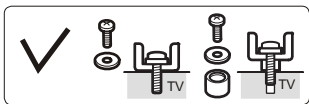
4. Installing the Adapter Bracket and Spacers



4.1



4.2

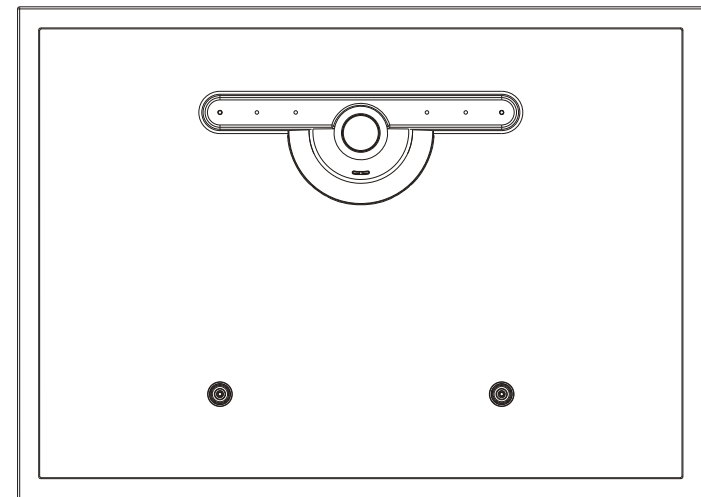
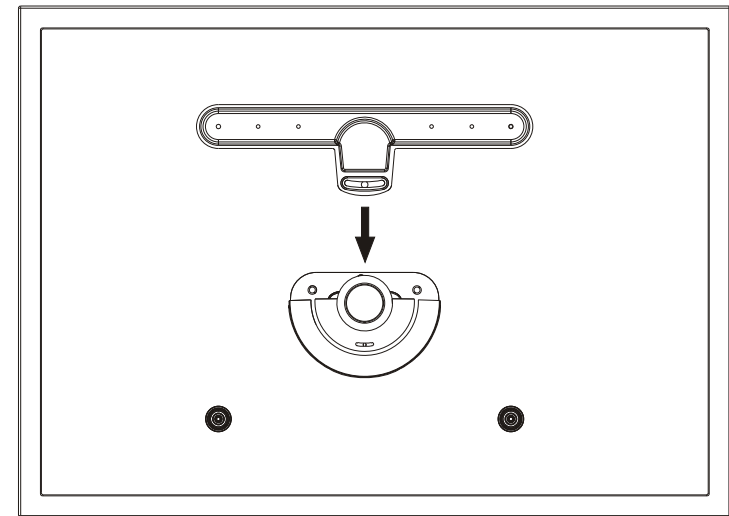


Note: Choose the appropriate screws, washers and spacers (if necessary) according to the type of screen.

- Position the adapter brackets as close as possible to the center of the TV.
- Screw the adapter brackets onto the TV.

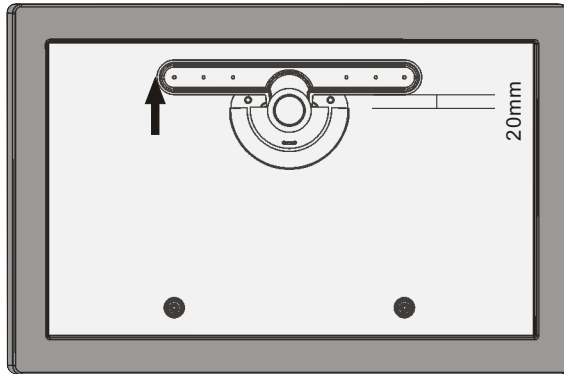
⚠ Tighten all screws but do not over tighten.

5. Hanging the TV onto the Wall Plate

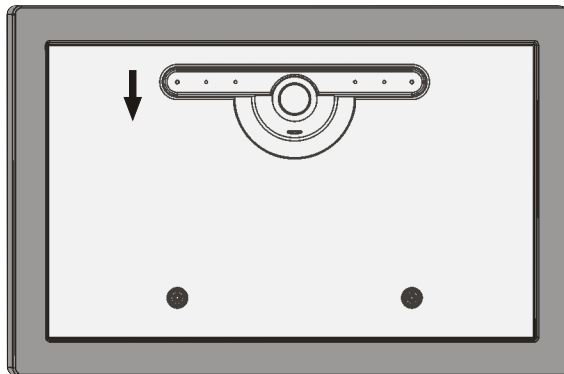


After the wall plate has been safely secured to the wall, carefully lift your TV and hook the top adapter bracket to the wall plate rail.

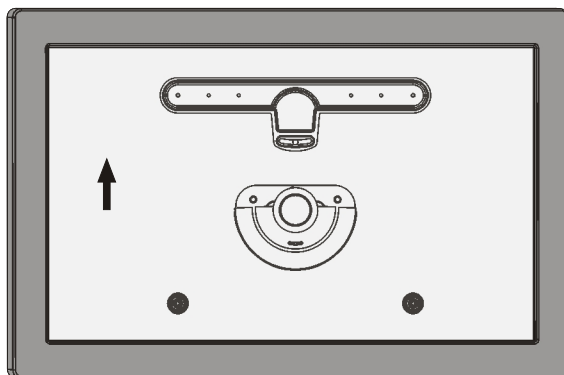
6. Removing the TV



You have to lift up screen until the screen can't be lifted.



Put it down back slowly in order to unlock the bracket.



The second time when you lift up, you can remove it from wall plate.

Maintenance

- Check that the bracket is secure and safe to use at regular intervals(at least every three months).
- Please contact your distributor if you have any questions.