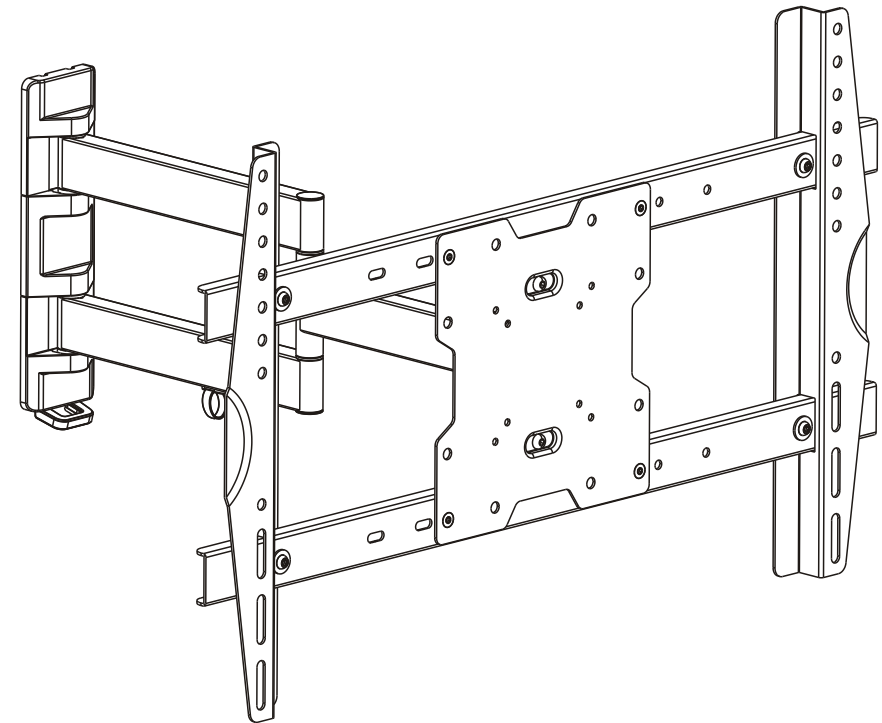


INSTALLATION MANUAL

Full Motion LED, LCD TV Wall Mount



419 E 4th Street,
Royal Oak, MI48067
Tel: 1 888-205-8290

info@turbo-teck.com
techsupport@turbo-teck.com
www.turbo-teck.com



**CAUTION: DO NOT EXCEED
RATED LISTED WEIGHT. SERIOUS
INJURY OR PROPERTY DAMAGE
MAY OCCUR!**

TTFM03-S



400x200/400x400
300x300/600x400
800x400



ISSUED: APR. 2013

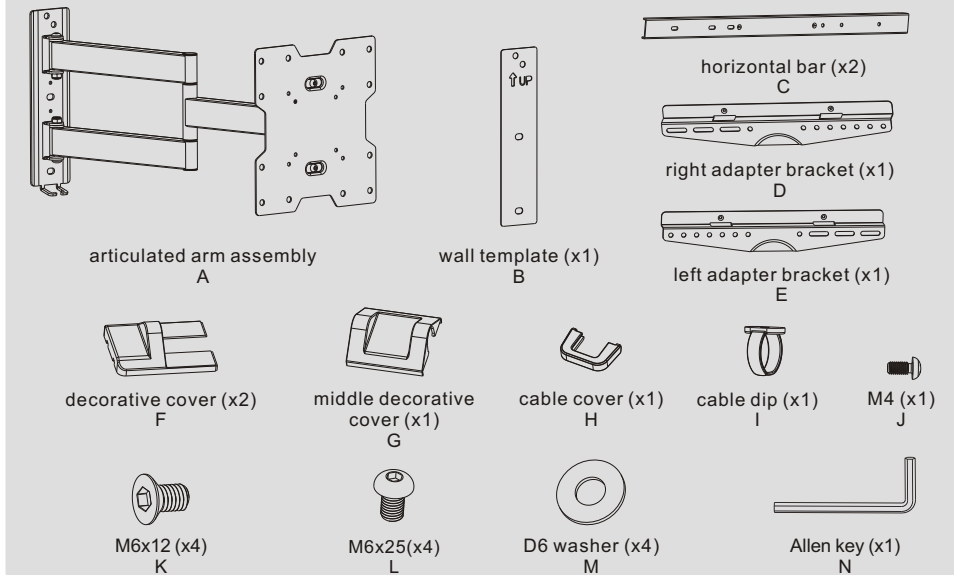
NOTE: Read the entire instruction manual before you start installation and assembly.

WARNING

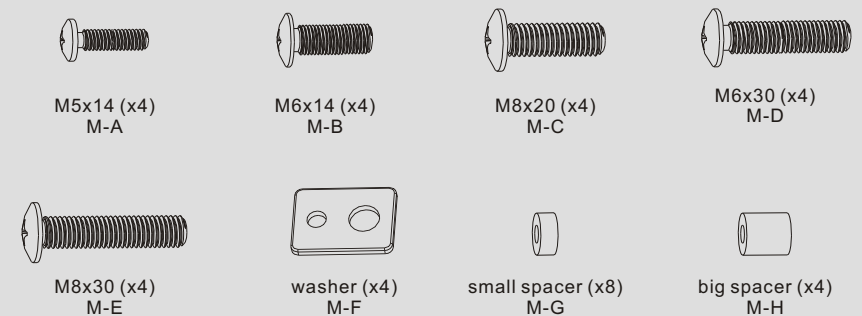
- Do not begin the installation until you have read and understood all the instructions and warnings contained in this installation sheet. If you have any questions regarding any of the instructions or warnings, please contact your local distributor.
- This mounting bracket was designed to be installed and utilised ONLY as specified in this manual. Improper installation of this product may cause damage or serious injury.
- This product should only be installed by someone with good mechanical ability who has basic building experience and fully understands this manual.
- Make sure that the supporting surface will safely support the combined weight of the equipment and all attached hardware and components.
- If mounting to wood wall studs, make sure that mounting screws are anchored into the center of the studs. The use of a stud finder is highly recommended.
- Always use an assistant or mechanical lifting equipment to safely lift and position the equipment.
- Tighten screws firmly, but do not over tighten. Over tightening can cause damage to the items, This greatly reduces their holding power.
- This product is intended for indoor use only. Using this product outdoors could lead to product failure and personal injury.

Component Checklist

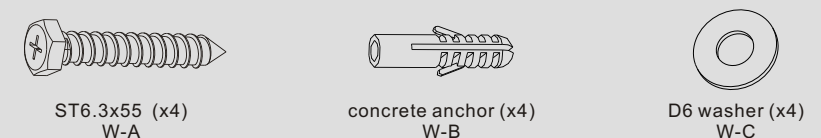
IMPORTANT: Ensure that you have received all parts according to the component checklist prior to installation. If any parts are missing or faulty, telephone your local distributor for a replacement.



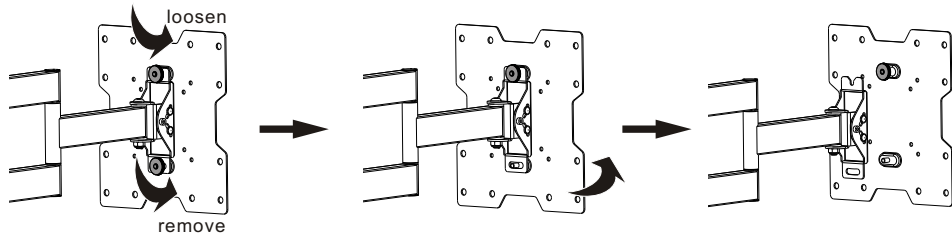
Package M



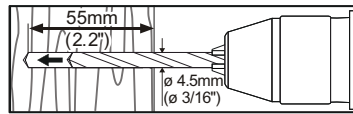
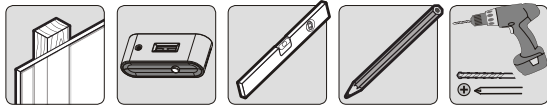
Package W



1. Separating the VESA Plate from the Wall Mount

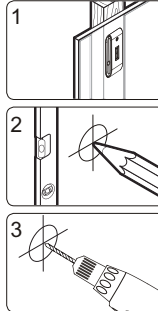


2a. For Wood Stud Wall Mounting

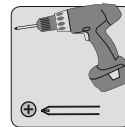
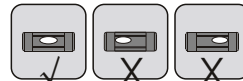


Find and mark the exact location of mounting holes

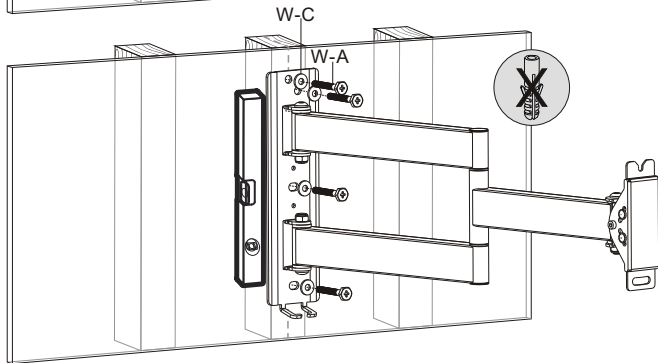
With the arrow pointing up.



Drill pilot holes



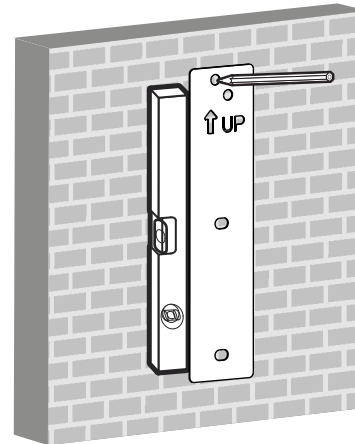
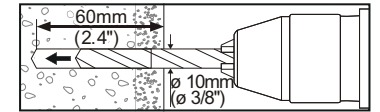
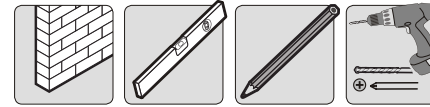
Screw the wall mount onto the wall



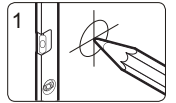
⚠ WARNING

- Make sure that mounting screws are anchored into the center of the studs. The use of a stud finder is highly recommended.
- Installers are responsible to provide hardware for other types of mounting situations.
- Installers must verify that the supporting surface will safely support the combined weight of the equipment and all attached hardware and components.

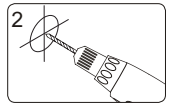
2b. For Solid Brick and Concrete Mounting



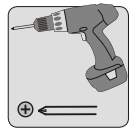
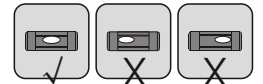
With the arrow pointing up.



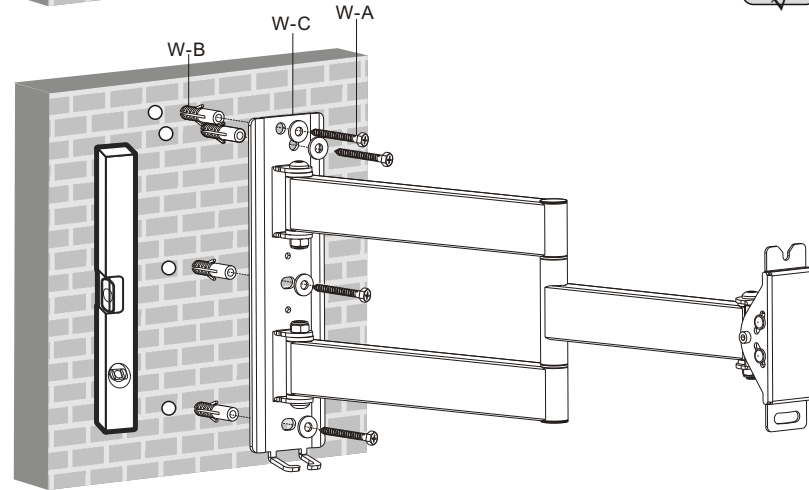
Mark the exact location of mounting holes



Drill pilot holes



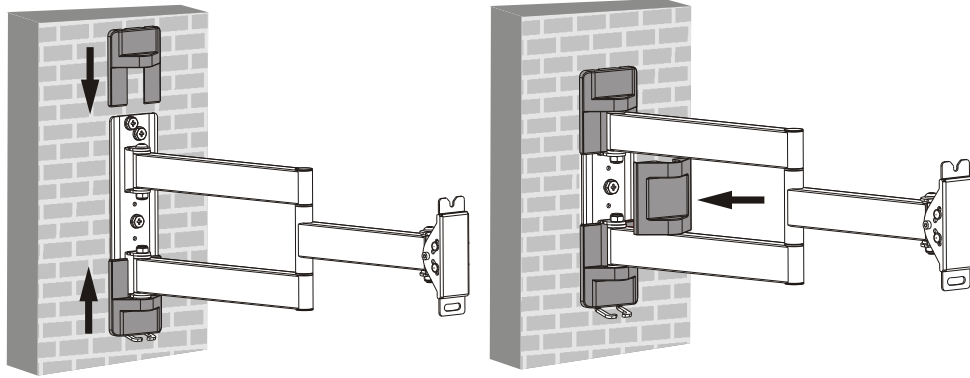
Screw the wall mount onto the wall



⚠ WARNING

Installers must verify that the supporting surface will safely support the combined weight of the equipment and all attached hardware and components.

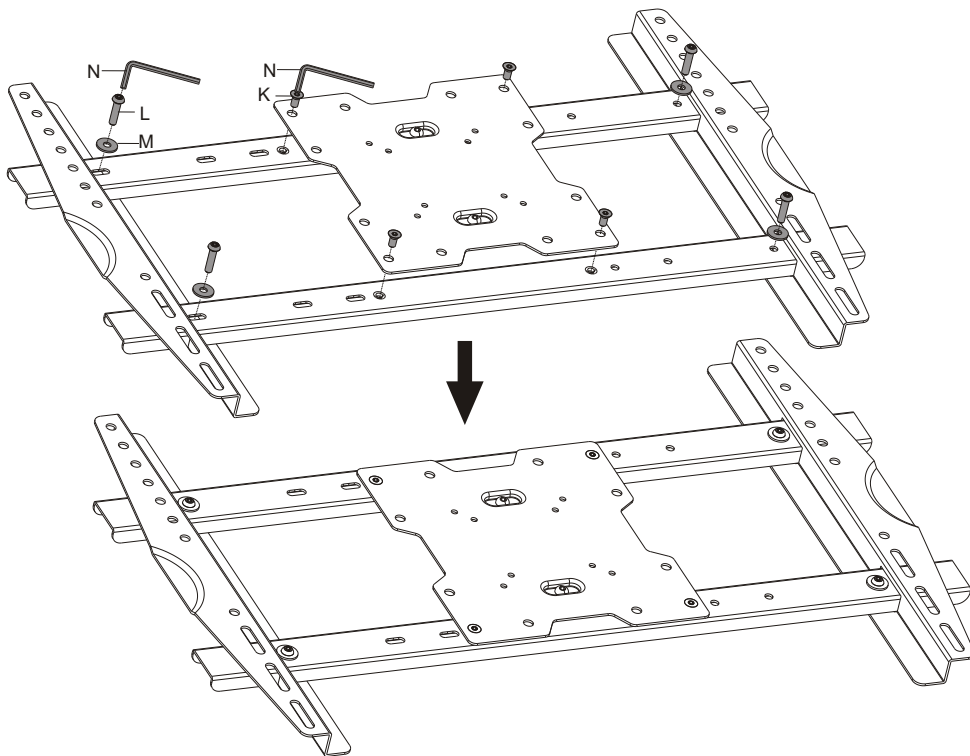
3. Installing the Decorative Covers



Insert the both top and bottom plastic covers

Finally, install the middle decorative covers.

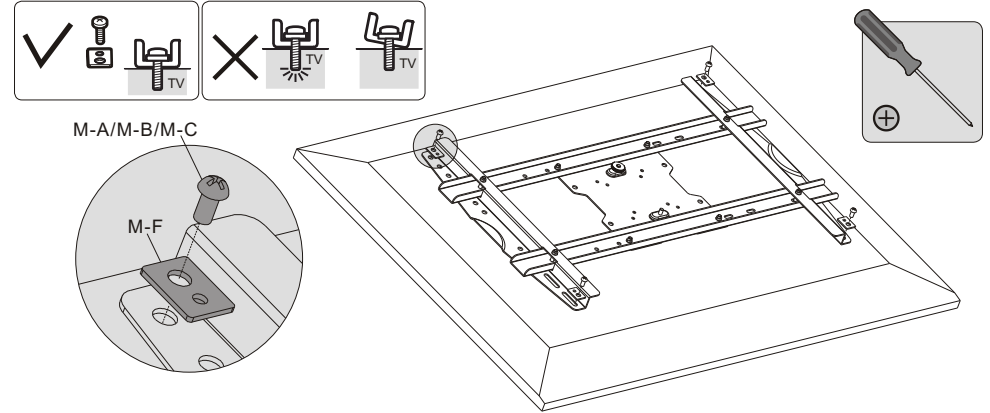
4. Assembling the Adapter Plate



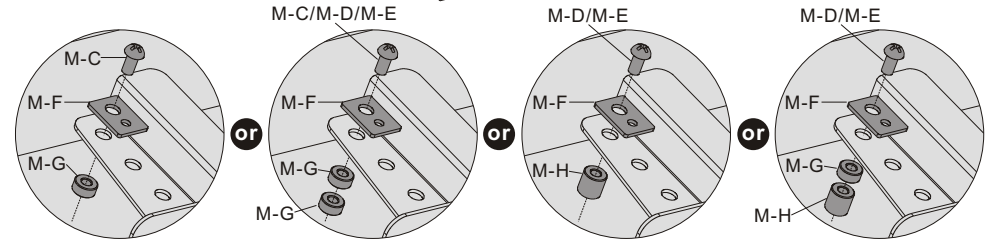
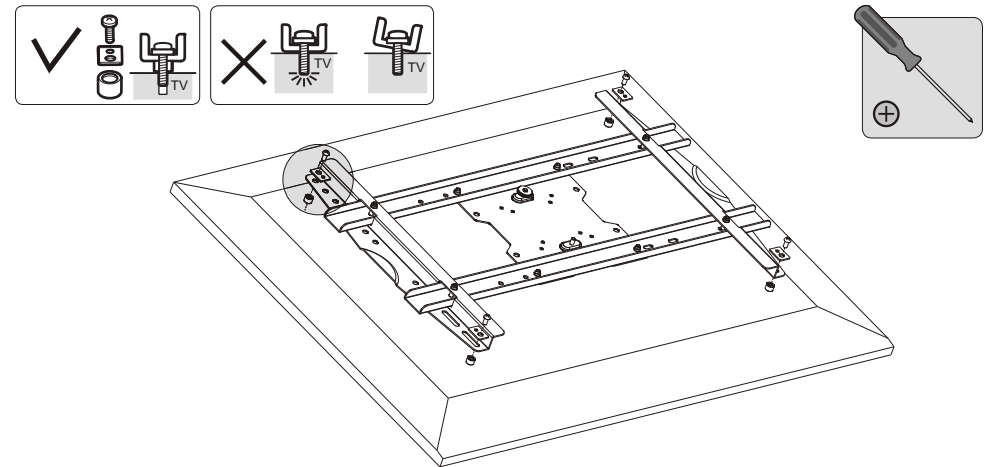
Adjust the brackets to fit mounting holes on the back side of the TV. Then use an Allen key to tighten screws on the brackets.

5. Installing Adapter Plate

5-1 For Flat Back Screens



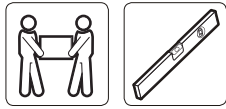
5-2 For Recessed Back Screens or to Access A/V Inputs



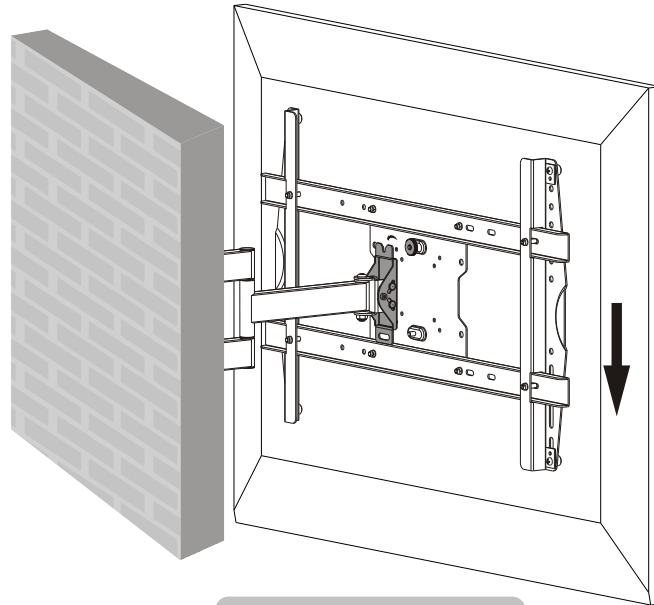
Note: Choose the appropriate screws, washers and spacers (if necessary) according to the type of screen. Screw the adapter plate onto the TV.

⚠ Tighten all screws but do not over tighten.

6. Hooking the TV onto the Wall Mount

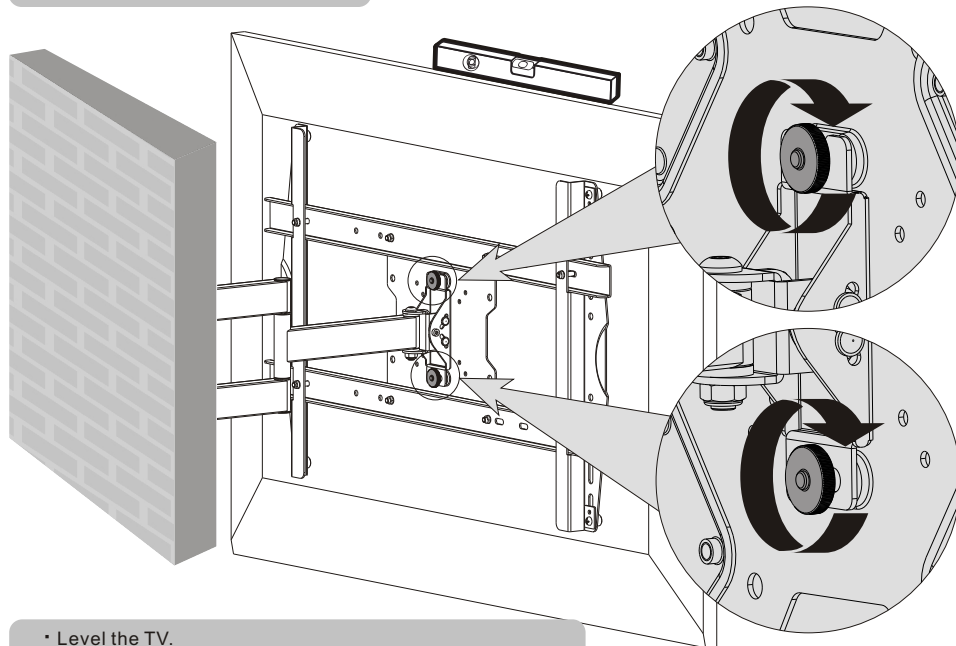


4mm



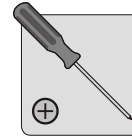
Hook the TV onto the wall mount

Loosen the upper thumbscrew leaving a 4mm space to VESA plate.

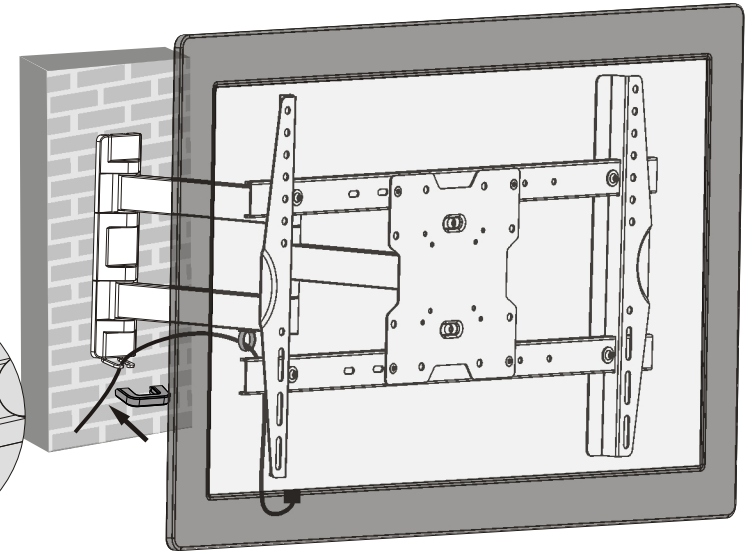
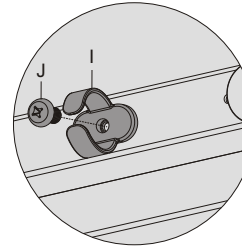


- Level the TV.
- Place the lower thumbscrew; Tighten both thumbscrews.

7. Cable Management

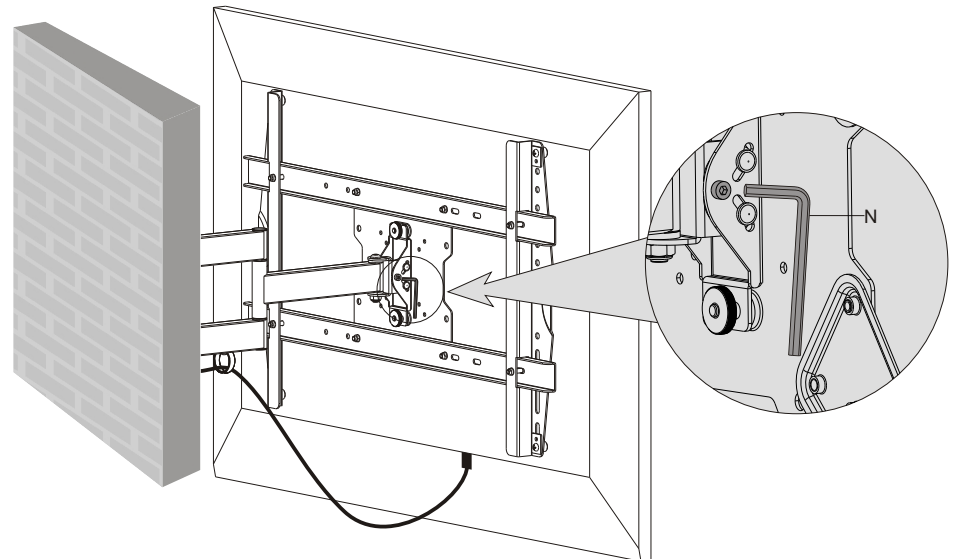


Attach the cable clip to the arm using the appropriate screw.



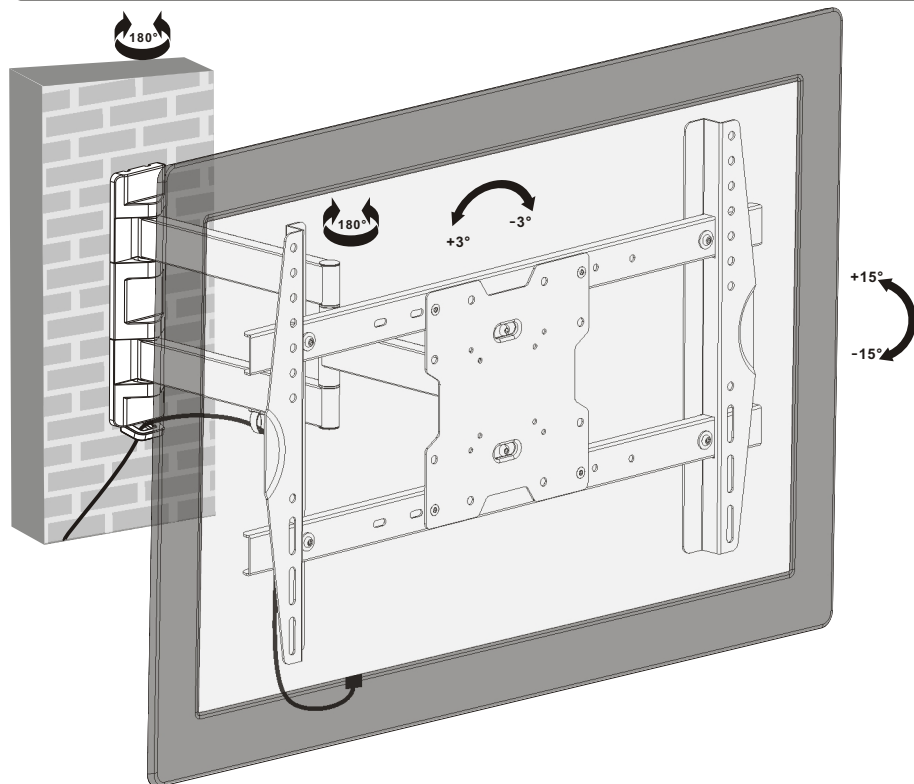
Connect the cables to your TV and route the cables through the cable clip, then attach the cable cover to hold the cable in place.
Note: Leave slack in the cable for cantilever arm movement.

8. Adjust Wall Mount Head



Depending on the weight of the TV, it is necessary to slightly loosen or tighten the adjustment screw using the supplied Allen key.

9. Adjustment



Adjust to the desired position or tilt.

Maintenance

- Check that the bracket is secure and safe to use at regular intervals (at least every three months).
- Please contact your distributor if you have any questions.