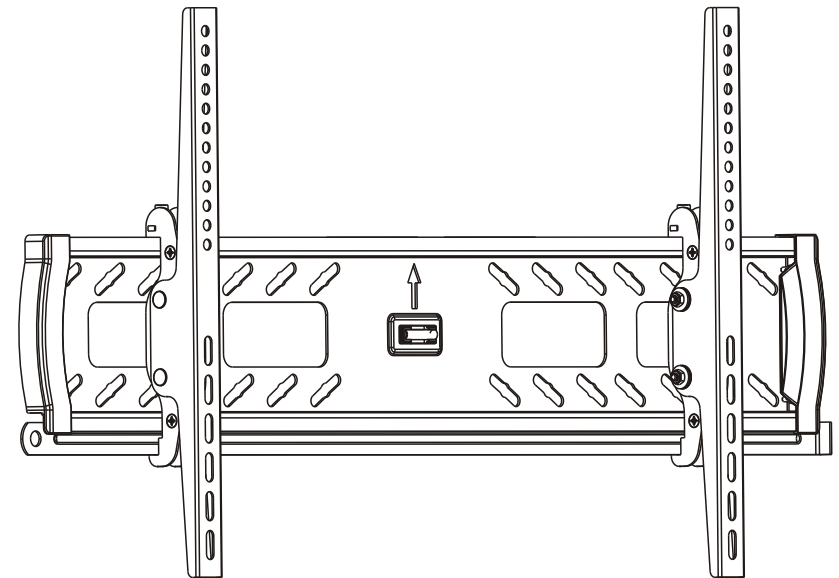


INSTALLATION MANUAL

Tilting Wall Mount



419 E 4th Street,
Royal Oak, MI48067
Tel: 1 888-205-8290

info@turbo-teck.com
techsupport@turbo-teck.com
www.turbo-teck.com



CAUTION: DO NOT EXCEED
RATED LISTED WEIGHT. SERIOUS
INJURY OR PROPERTY DAMAGE
MAY OCCUR!

TTT02-S

200x200/300x300
400x200/400x400
600x400/800x400
1050x400

70"
MAX

45kg
(99lbs)
RATED

ISSUED: APR. 2013

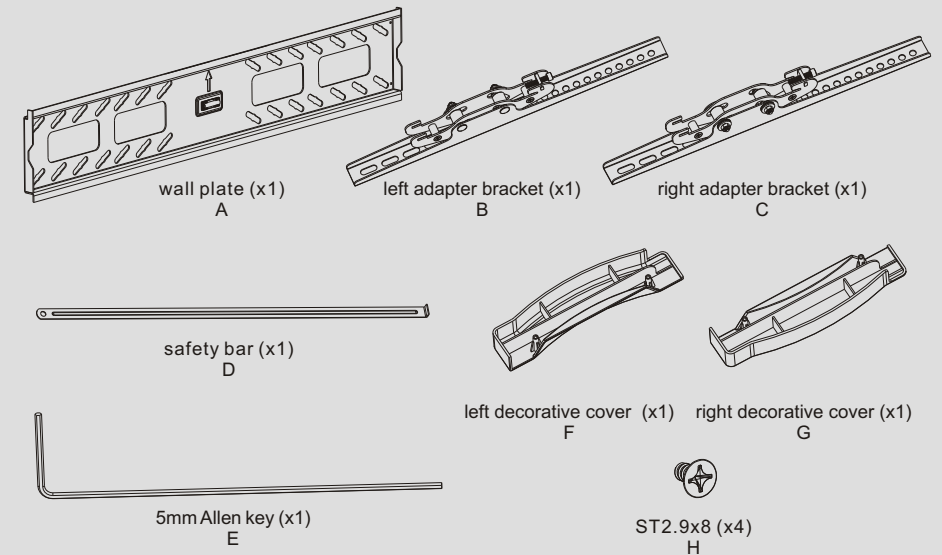
NOTE: Read the entire instruction manual before you start installation and assembly.

⚠ WARNING

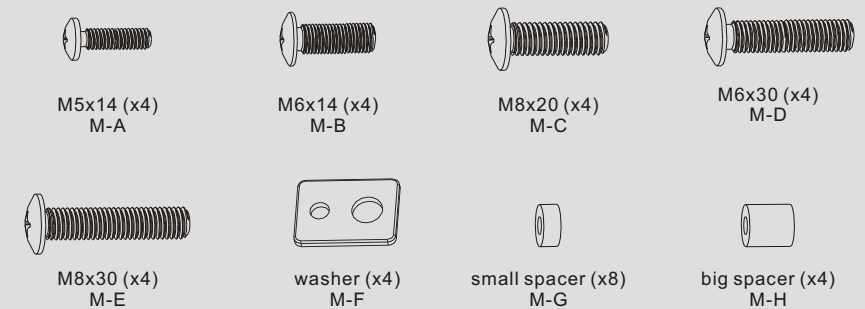
- Do not begin the installation until you have read and understood all the instructions and warnings contained in this installation sheet. If you have any questions regarding any of the instructions or warnings, please contact your local distributor.
- This mounting bracket was designed to be installed and utilised **ONLY** as specified in this manual. Improper installation of this product may cause damage or serious injury.
- This product should only be installed by someone with good mechanical ability who has basic building experience and fully understands this manual.
- Make sure that the supporting surface will safely support the combined weight of the equipment and all attached hardware and components.
- If mounting to wood wall studs, make sure that mounting screws are anchored into the center of the studs. The use of a stud finder is highly recommended.
- Always use an assistant or mechanical lifting equipment to safely lift and position the equipment.
- Tighten screws firmly, but do not over tighten. Over tightening can cause damage to the items, This greatly reduces their holding power.
- This product is intended for indoor use only. Using this product outdoors could lead to product failure and personal injury.

Component Checklist

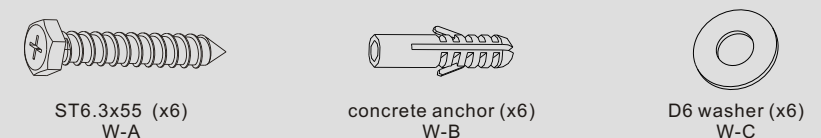
IMPORTANT: Ensure that you have received all parts according to the component checklist prior to installation. If any parts are missing or faulty, telephone your local distributor for a replacement.



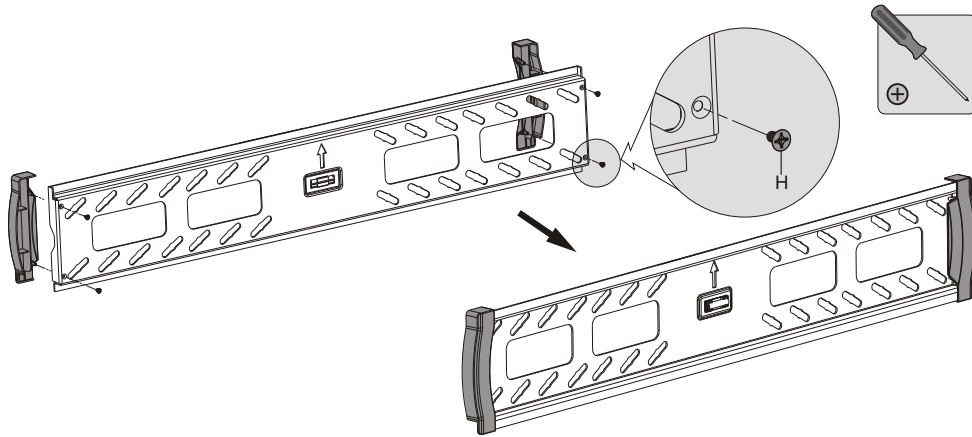
Package M



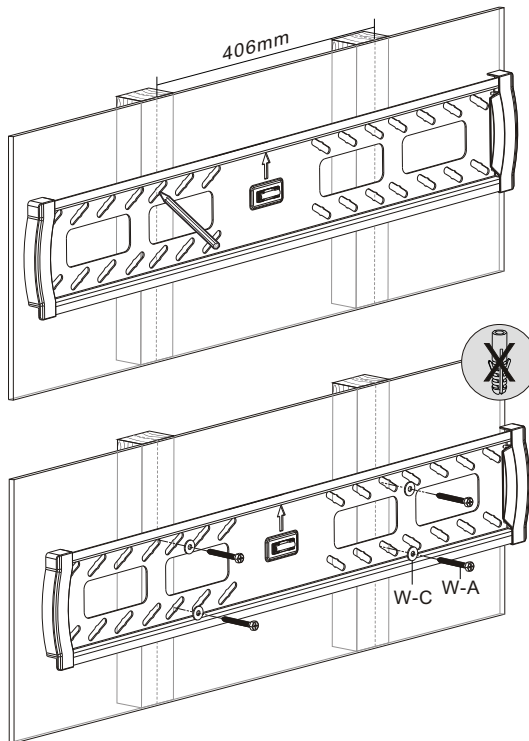
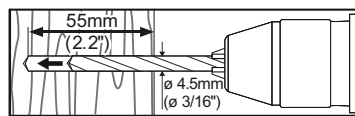
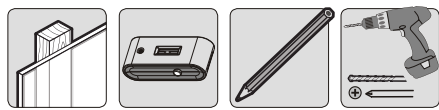
Package W



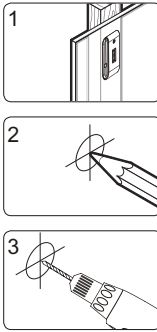
1. Installing the Decorative Covers



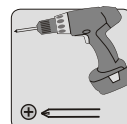
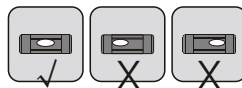
2a. For Wood Stud Wall Mounting



Find and mark the exact location of mounting holes



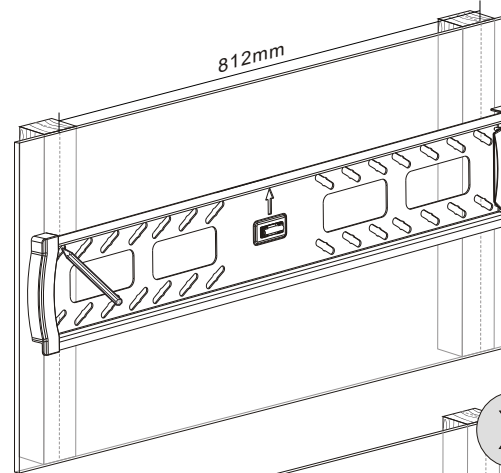
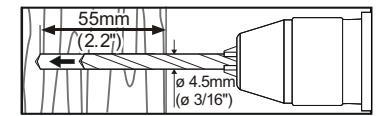
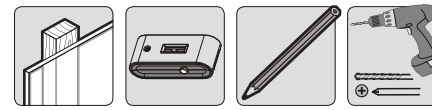
Drill pilot holes



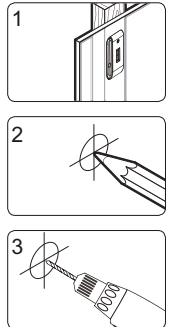
Screw the wall plate onto the wall

With the arrow pointing up.

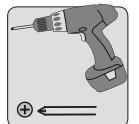
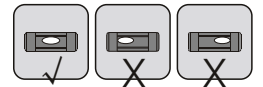
2a. For Wood Stud Wall Mounting



Find and mark the exact location of mounting holes



Drill pilot holes



Screw the wall plate onto the wall

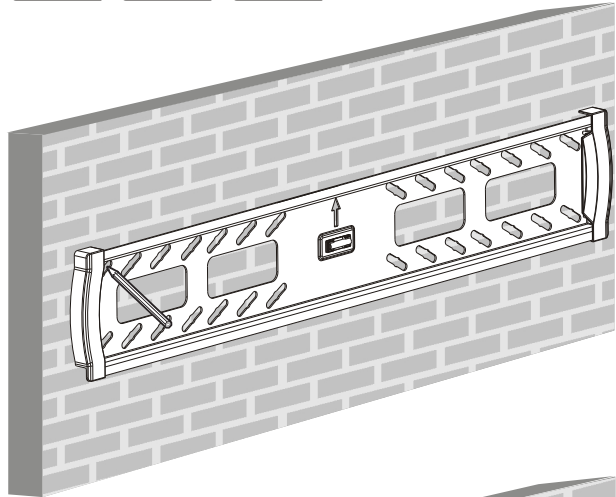
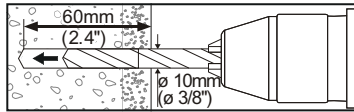
With the arrow pointing up.

Model	Stud	406mm (16")	450mm (17.7")	600mm (23.6")	610mm (24")	812mm (24")
TTT02-S		✓	✓	✓	X	✓

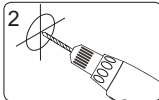
! WARNING

- Make sure that mounting screws are anchored into the center of the studs. The use of a stud finder is highly recommended.
- Installers are responsible to provide hardware for other types of mounting situations.
- Installers must verify that the supporting surface will safely support the combined weight of the equipment and all attached hardware and components.

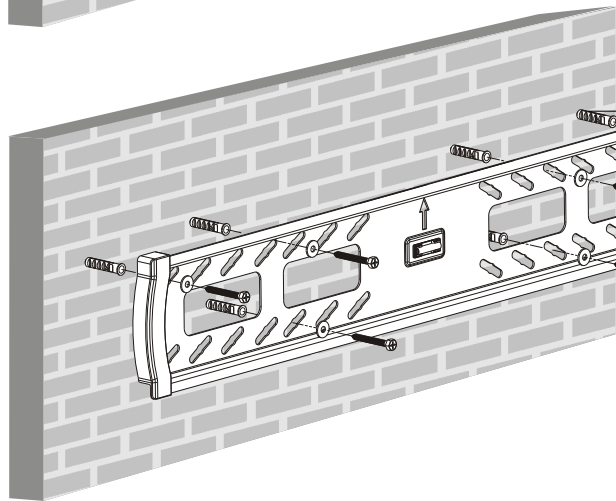
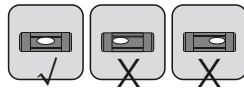
2b. For Solid Brick and Concrete Mounting



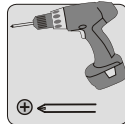
Mark the exact location of mounting holes



Drill pilot holes



W-B
W-C
W-A



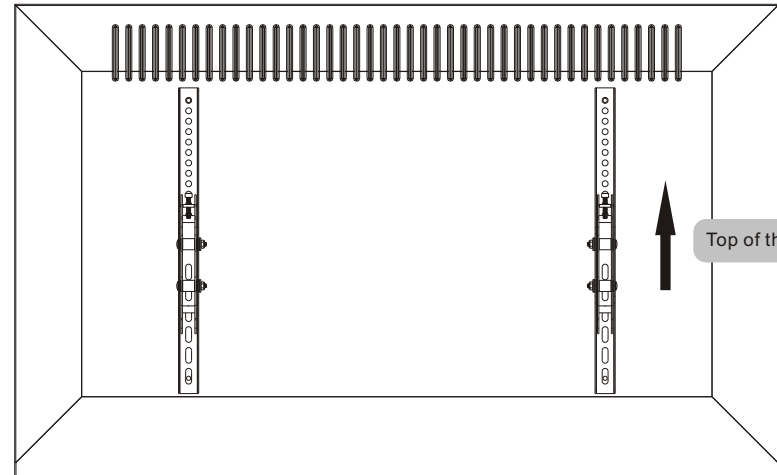
Screw the wall plate onto the wall

With the arrow pointing up.

! WARNING

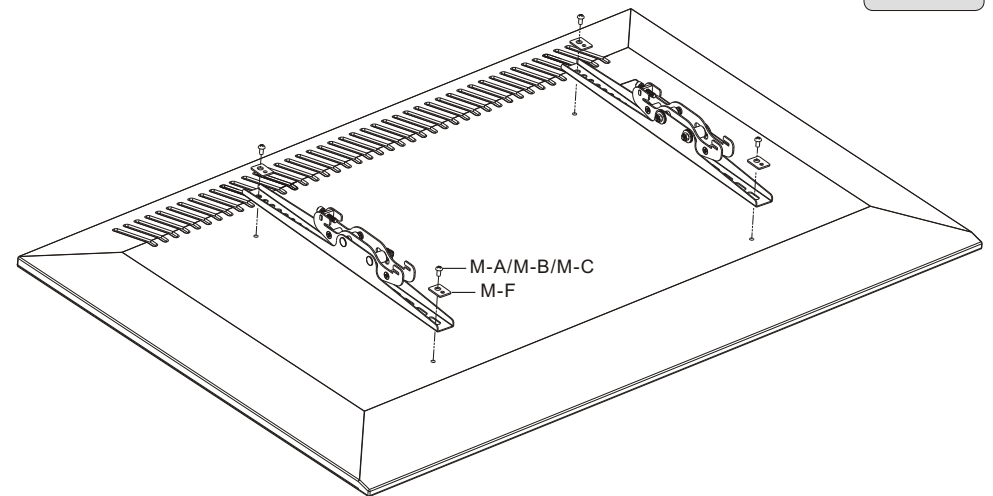
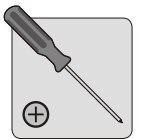
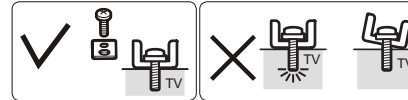
Installers must verify that the supporting surface will safely support the combined weight of the equipment and all attached hardware and components.

3. Installing the Adapter Brackets



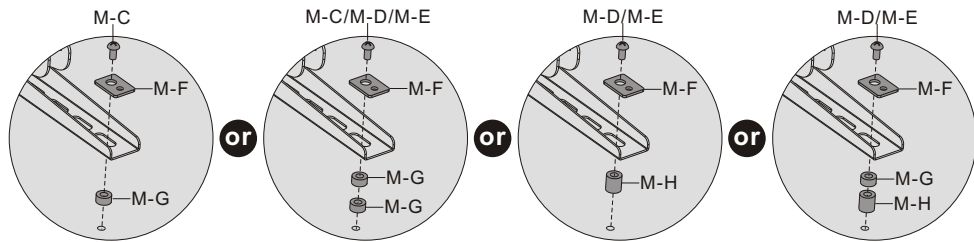
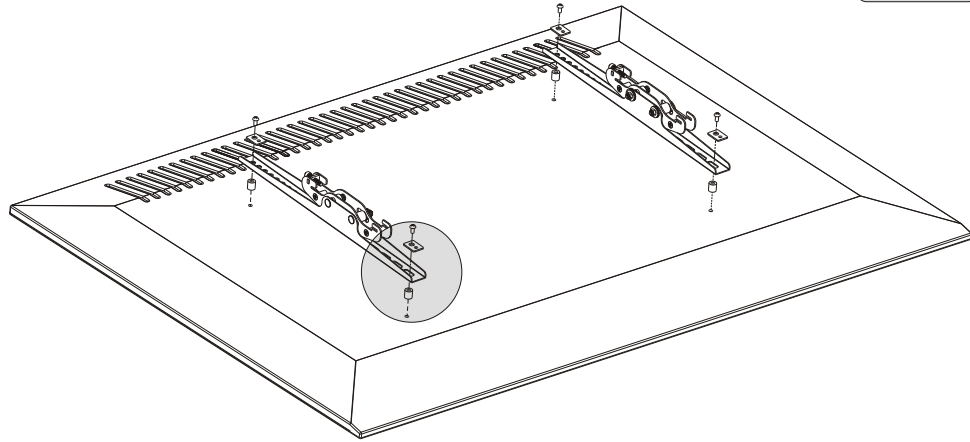
Top of the TV

3-1 For Flat Back Screens



M-A/M-B/M-C
M-F

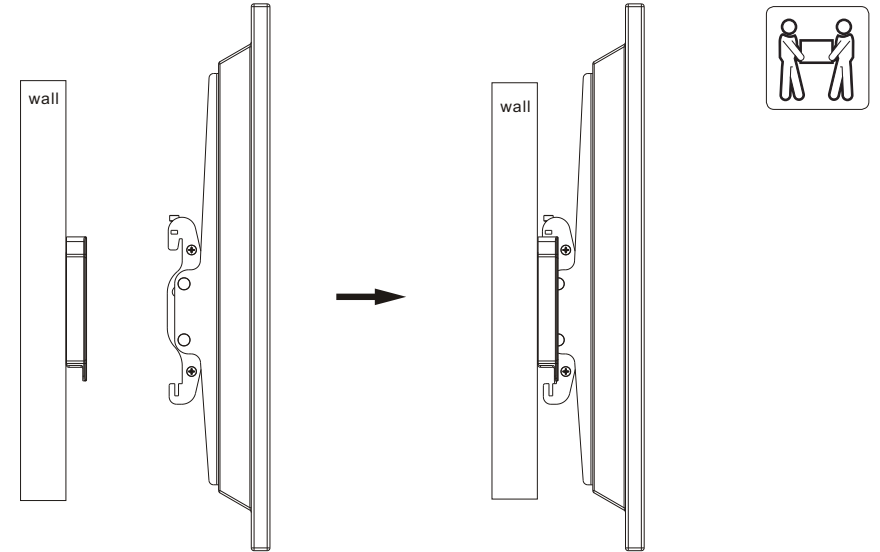
3-2 For Recessed Back Screens or to Access A/V Inputs



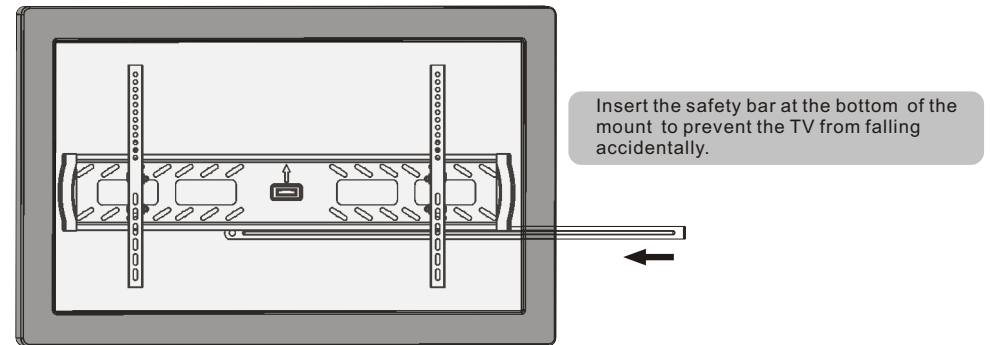
Note: Choose the appropriate screws, washers and spacers (if necessary) according to the type of screen.
 • Position the adapter brackets as close as possible to the center of the TV.
 • Screw the adapter brackets onto the TV.

⚠ Tighten all screws but do not over tighten.

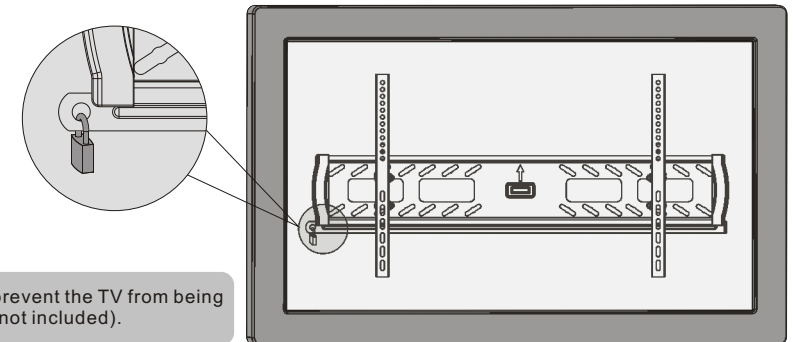
4. Hanging the TV onto the Wall Plate



Hook the TV over the top of the wall plate.
Important: Make sure the TV is correctly hooked before releasing the TV.

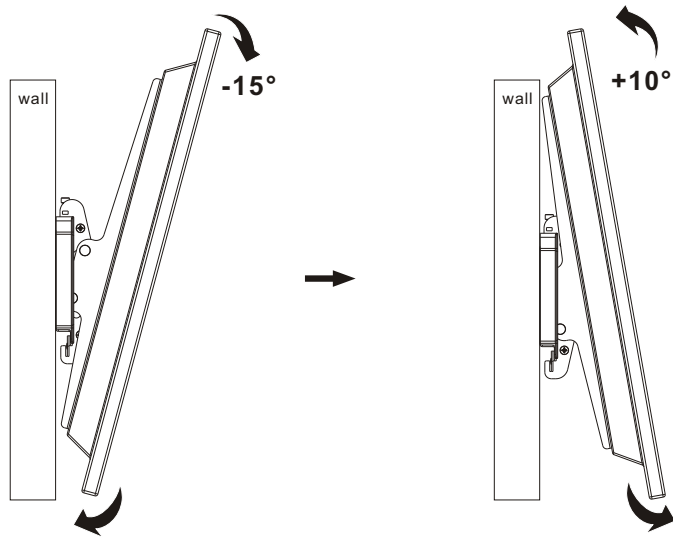


Insert the safety bar at the bottom of the mount to prevent the TV from falling accidentally.

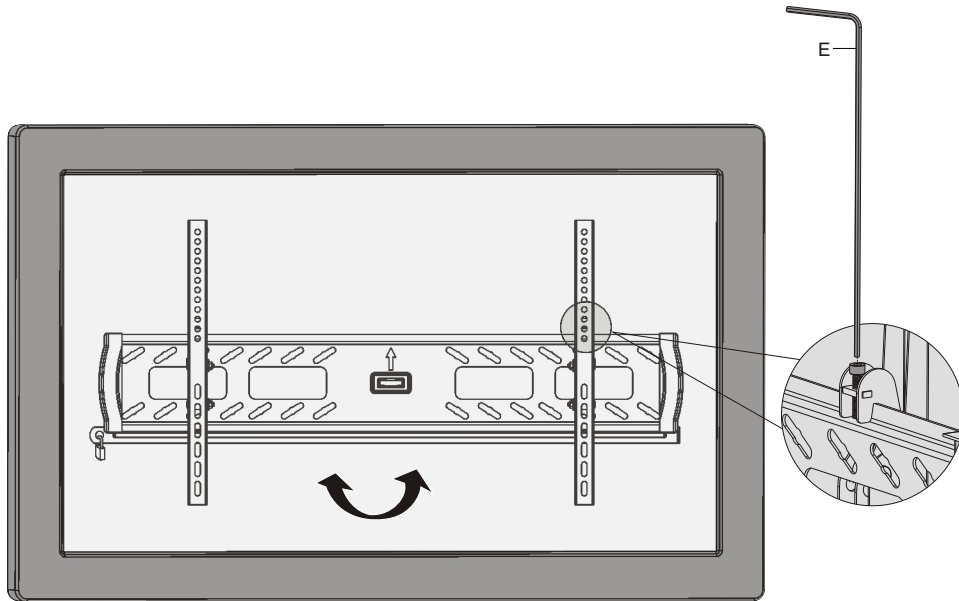


Use a padlock to prevent the TV from being stolen (Padlock is not included).

5. Adjustment



Push or pull from the top or bottom of the display to obtain the desired angle.



You can slightly adjust to get level for the display by tightening or loosening screws using a 5mm Allen key.

Maintenance

- Check that the bracket is secure and safe to use at regular intervals (at least every three months).
- Please contact your distributor if you have any questions.