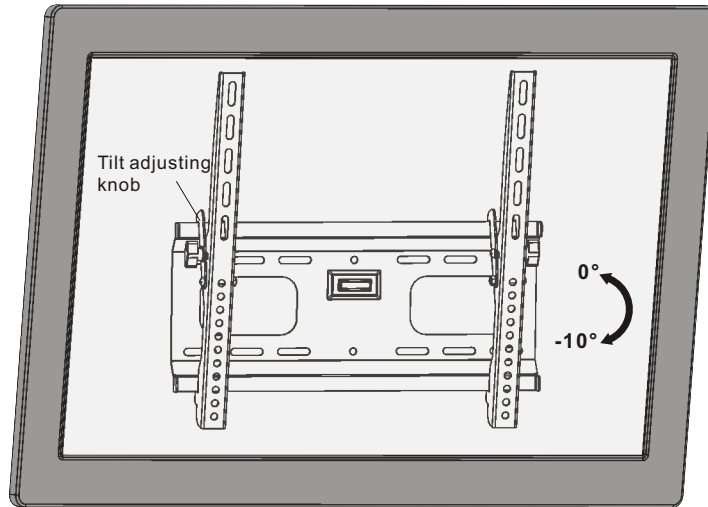


4. Adjustment



Use the tilt adjusting knob to adjust your TV to the desired angle.

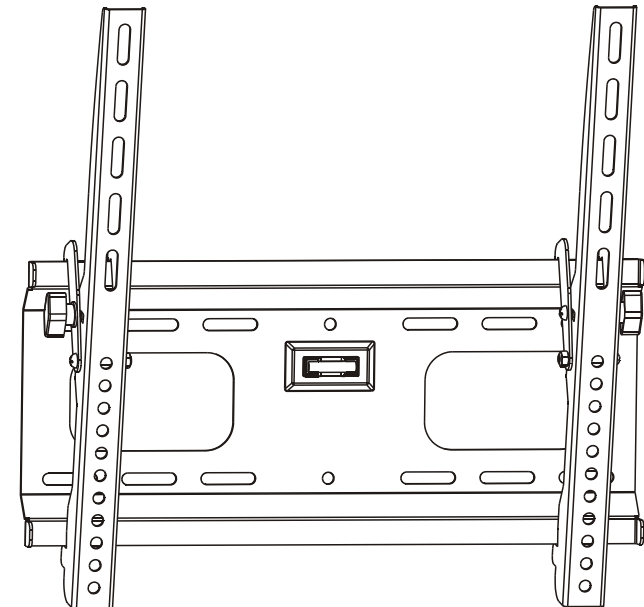
Maintenance

- Check that the bracket is secure and safe to use at regular intervals(at least every three months).
- Please contact your dealer if you have any questions.



INSTALLATION MANUAL

Tilting Wall Mount



419 E 4th Street,
Royal Oak, MI48067
Tel: 1 888-205-8290

info@turbo-teck.com
techsupport@turbo-teck.com
www.turbo-teck.com



CAUTION: DO NOT EXCEED RATED LISTED WEIGHT. SERIOUS INJURY OR PROPERTY DAMAGE MAY OCCUR!

TTT03-E



100x100/200x100
200x200/400x200



ISSUED: FEB. 2013

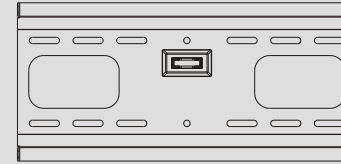
NOTE: Read the entire instruction manual before you start installation and assembly.

WARNING

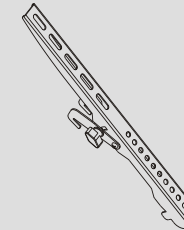
- Do not begin the installation until you have read and understood all the instructions and warnings contained in this installation sheet. If you have any questions regarding any of the instructions or warnings, please contact your local distributor.
- This mounting bracket was designed to be installed and utilised **ONLY** as specified in this manual. Improper installation of this product may cause damage or serious injury.
- This product should only be installed by someone with good mechanical ability who has basic building experience and fully understands this manual.
- Make sure that the supporting surface will safely support the combined weight of the equipment and all attached hardware and components.
- If mounting to wood wall studs, make sure that mounting screws are anchored into the center of the studs. The use of a stud finder is highly recommended.
- Always use an assistant or mechanical lifting equipment to safely lift and position the equipment.
- Tighten screws firmly, but do not over tighten. Over tightening can cause damage to the items, This greatly reduces their holding power.
- This product is intended for indoor use only. Using this product outdoors could lead to product failure and personal injury.

Component Checklist

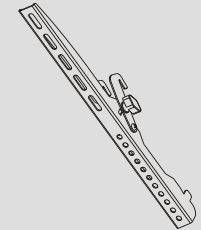
IMPORTANT: Ensure that you have received all parts according to the component checklist prior to installation. If any parts are missing or faulty, telephone your local distributor for a replacement.



wall plate (x1)
A



left adapter
bracket (x1)
B

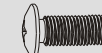


right adapter
bracket (x1)
C

Package M



M5x14 (x4)
M-A



M6x14 (x4)
M-B



M8x20 (x4)
M-C



M6x30 (x4)
M-D



M8x30 (x4)
M-E



washer (x4)
M-F



small spacer (x8)
M-G



big spacer (x4)
M-H

Package W



ST6.3x55 (x4)
W-A

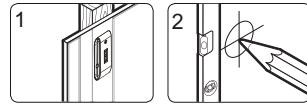
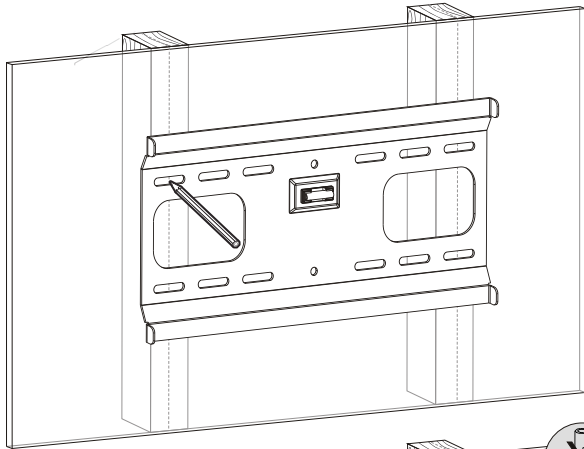
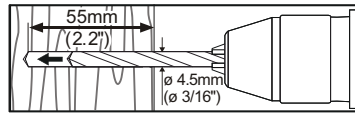
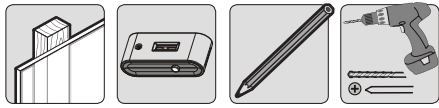


concrete anchor (x4)
W-B

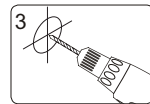


D6 washer (x4)
W-C

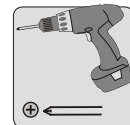
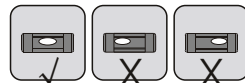
1a. For Wood Stud Wall Mounting



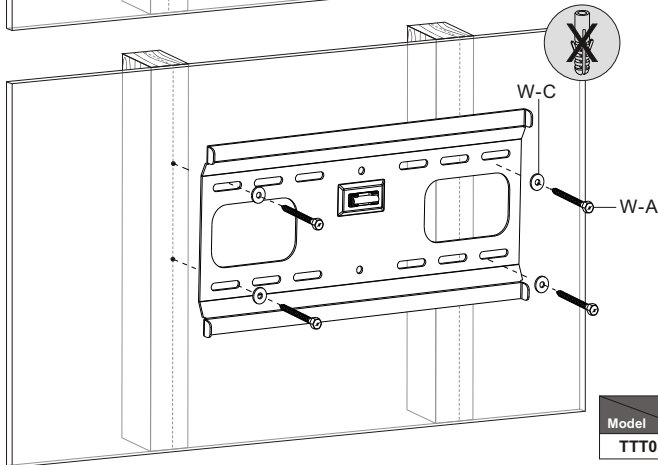
1 Find and mark the exact location of mounting holes



3 Drill pilot holes



Screw the wall plate onto the wall

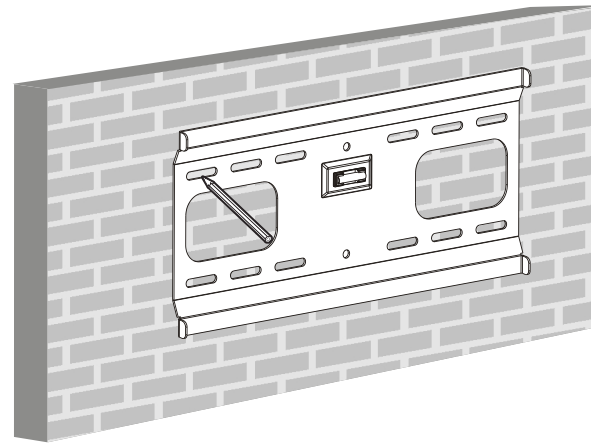
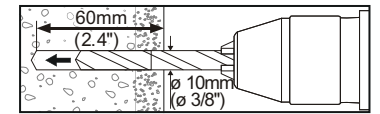
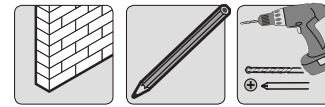


| Model | Stud 406mm (16") | 450mm (17.7") | 600mm (23.6") | 610mm (24") |
|---------|------------------|---------------|---------------|-------------|
| TTT03-E | ✓ | X | X | X |

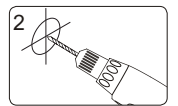
⚠ WARNING

- Make sure that mounting screws are anchored into the center of the studs. The use of a stud finder is highly recommended.
- Installers are responsible to provide hardware for other types of mounting situations.
- Installers must verify that the supporting surface will safely support the combined weight of the equipment and all attached hardware and components.

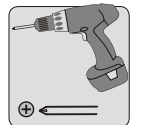
1b. For Solid Brick and Concrete Mounting



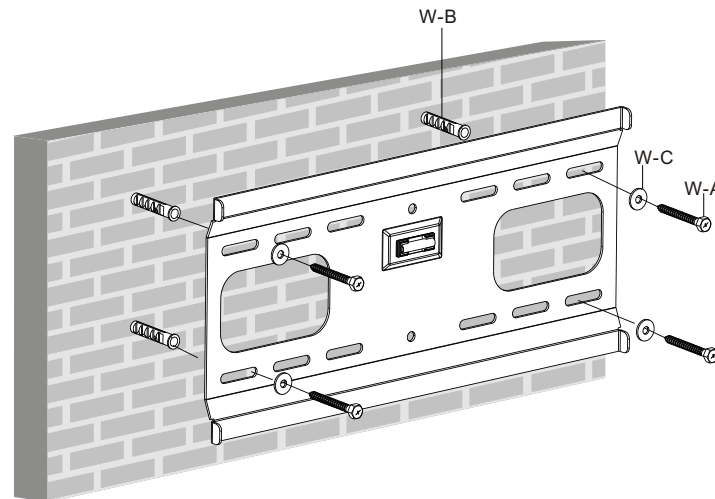
1 Mark the exact location of mounting holes



2 Drill pilot holes



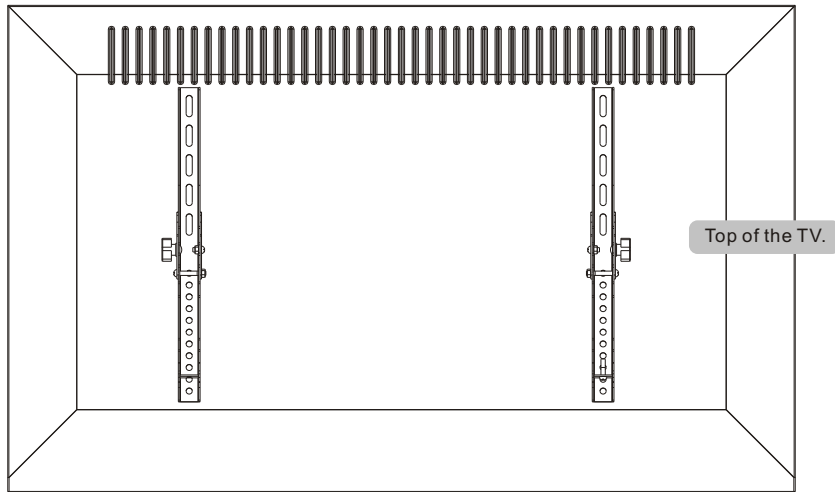
Screw the wall plate onto the wall



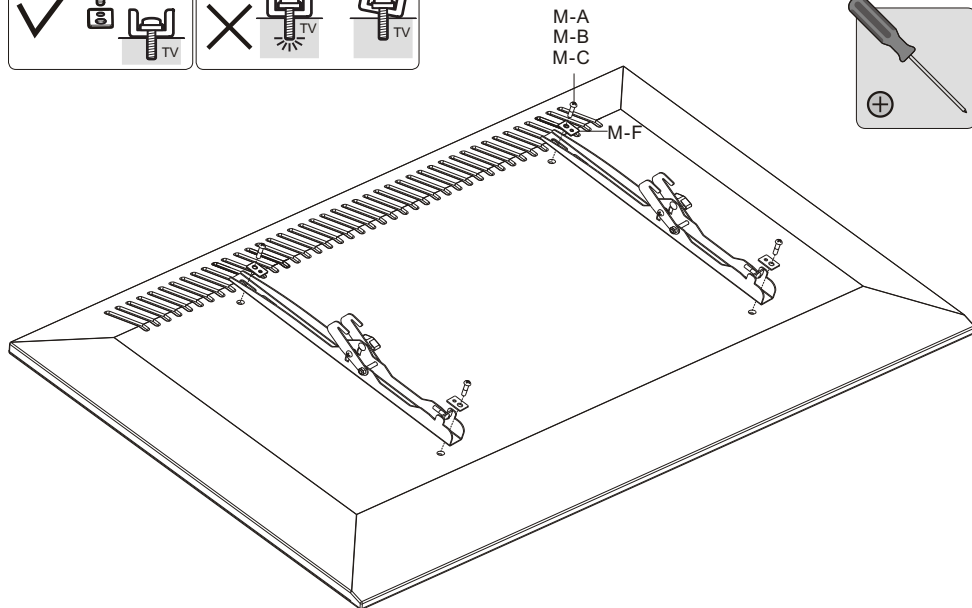
⚠ WARNING

Installers must verify that the supporting surface will safely support the combined weight of the equipment and all attached hardware and components.

2. Installing the Adapter Brackets

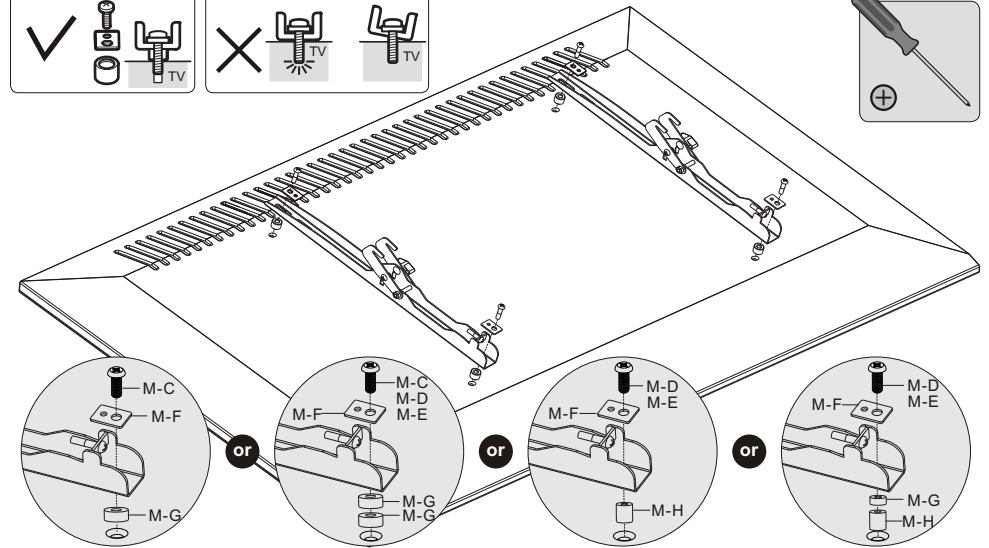
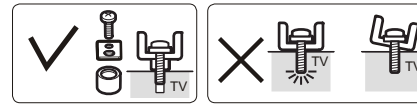


2-1 For Flat Back Screens



Tighten all screws but do not over tighten.

2-2 For Recessed Back Screens or to Access A/V Inputs

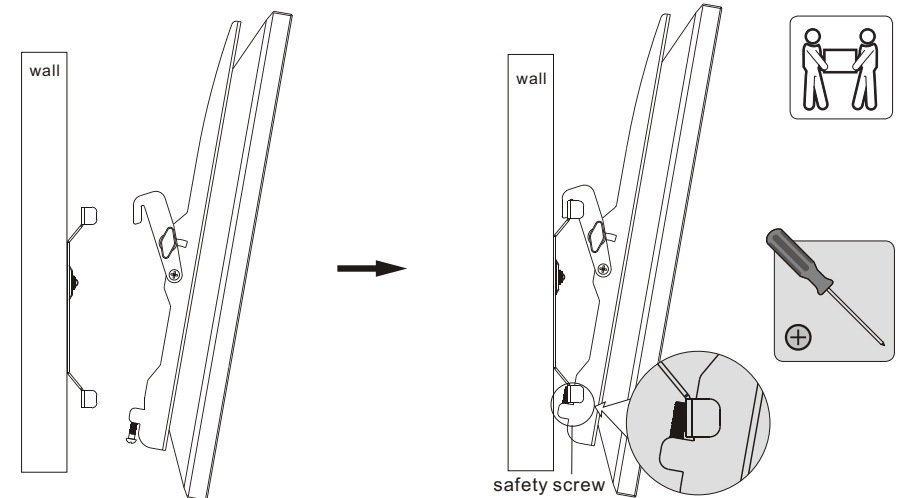


Note: Choose the appropriate screws, washers and spacers (if necessary) according to the type of screen.

- Position the adapter brackets as close as possible to the center of the TV.
- Screw the adapter brackets onto the TV.

Tighten all screws but do not over tighten.

3. Hanging the TV onto the Wall Plate



Hook the TV over the top of the wall plate. Tighten the safety screws on the display brackets with a proper screw driver.

Important: Make sure the TV is correctly hooked and the safety locking screws are locked safely before releasing the TV.